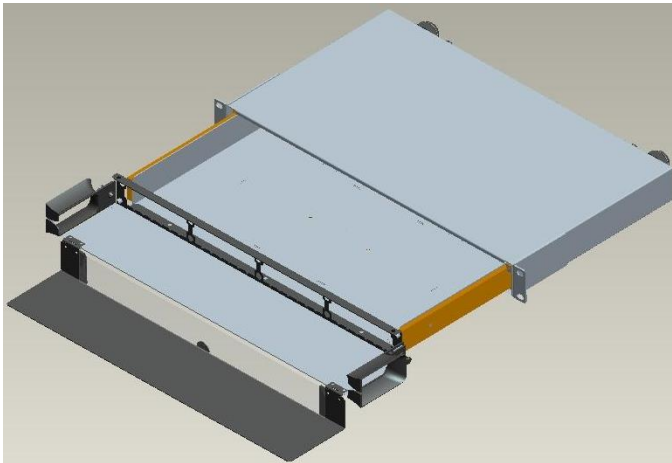


## UCCONNECT®

### UC9500 Light Weight Fibre Suite



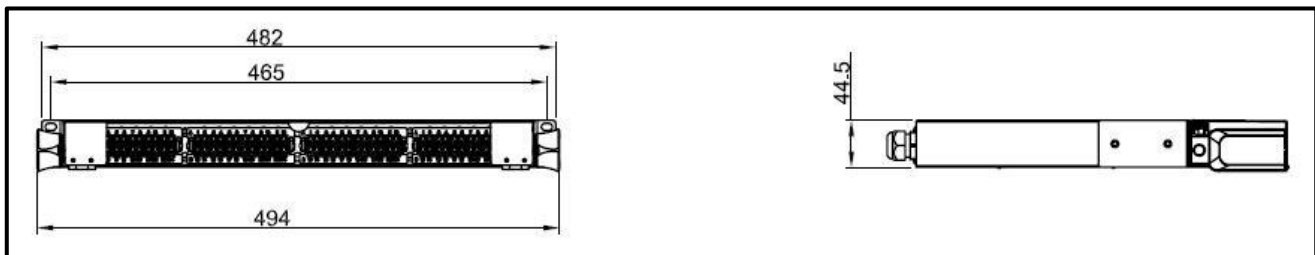
#### UC 1U Patch Panel 9515, Drawer type, Empty

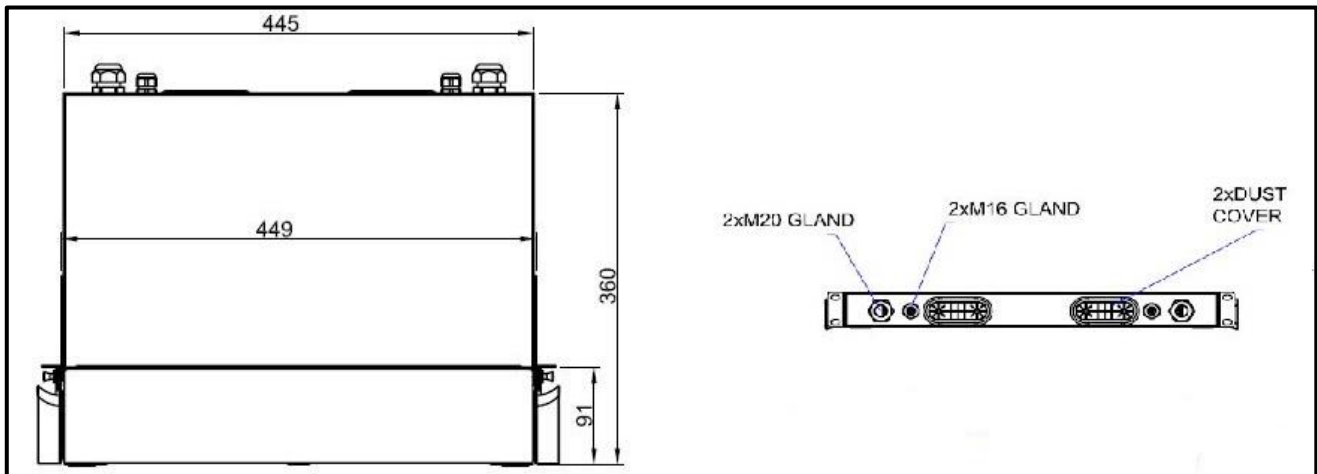
- Light weight
- Sleek design & feel
- Water paint
- Drawer for easy installation and maintenance
- Abrasion resistance
- Highly durable
- Easy fix-up to 4 module cassettes
- Easy fix-up to 4 adaptor panels
- Up to 96 fibres (MPO configuration)

## Specification

| Item              | Description                      |
|-------------------|----------------------------------|
| Material          | SPCC (Cold rolled steel plate)   |
| Matrix            | Thickness = 1.2 mm               |
| Cover             | Thickness = 1.2 mm               |
| Dimension         | H x W x D = 1U x 482 mm x 300 mm |
| Weight            | Approximate 4 kg (empty)         |
| Surface Finishing | Powder paint                     |

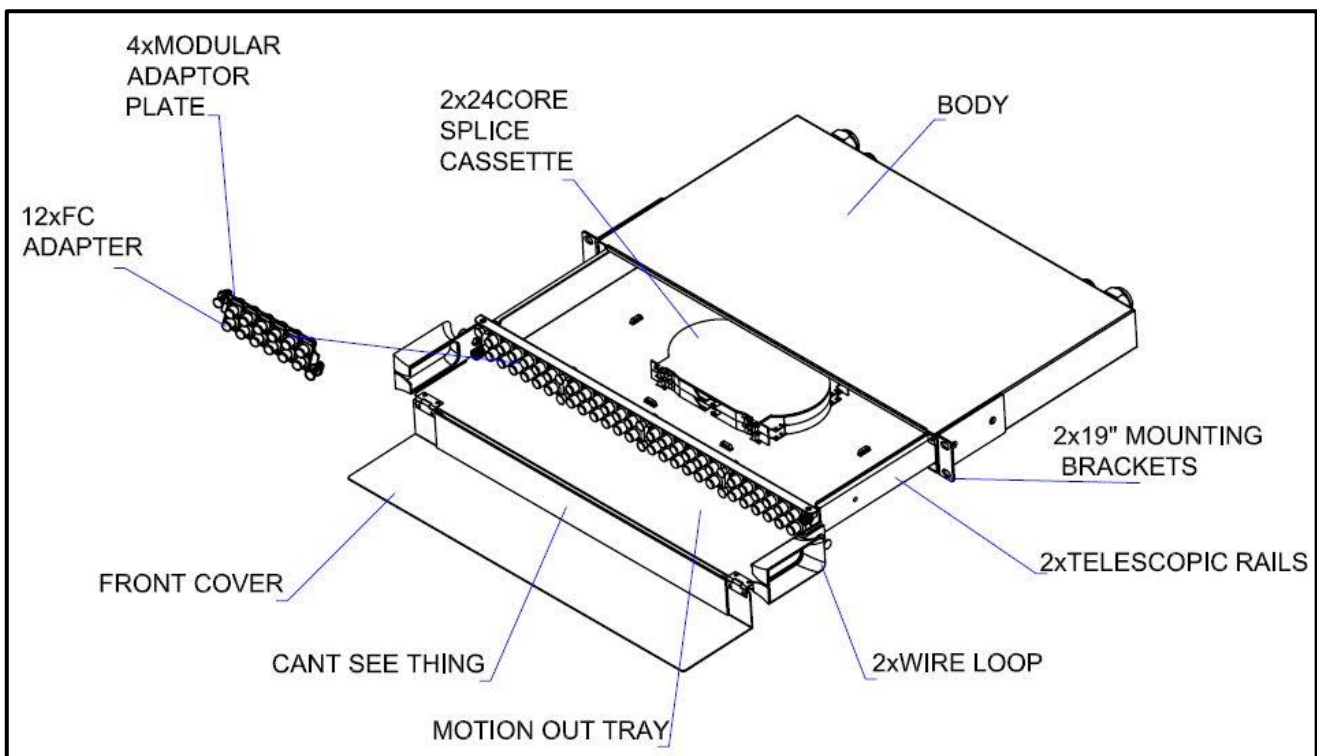
## Construction



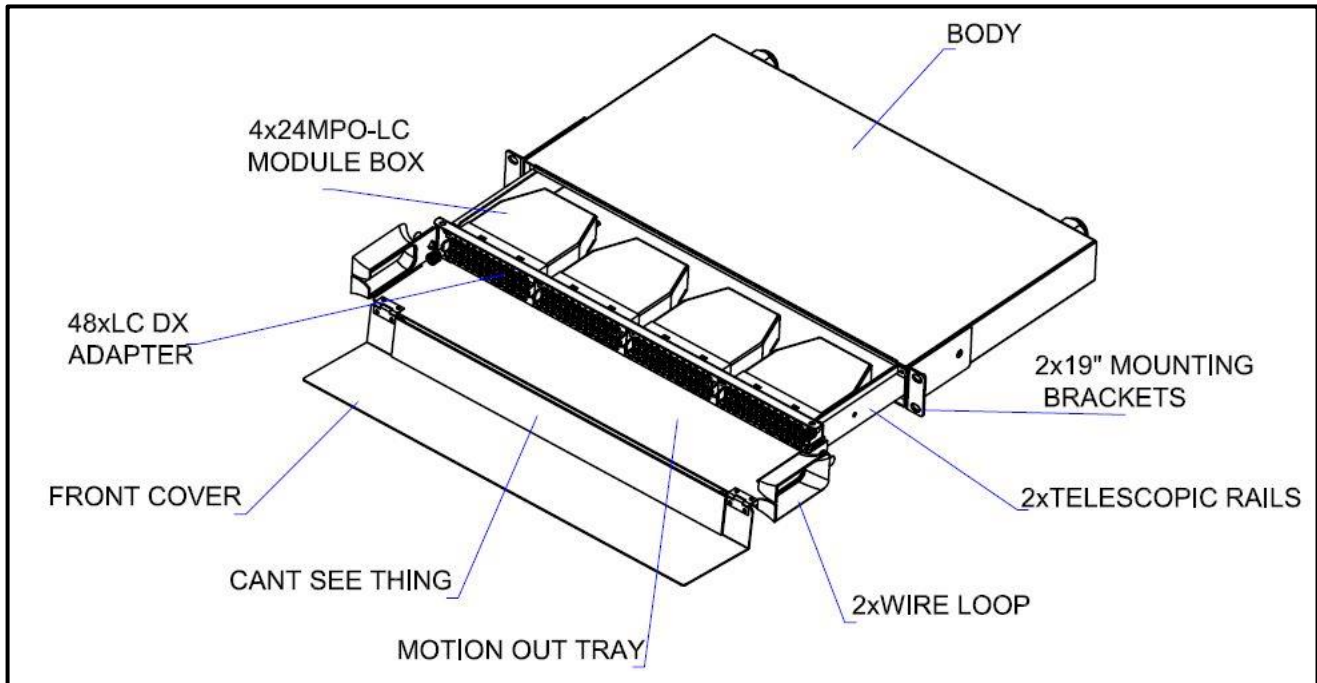


## Configuration

### Splicing Configuration (48F FC Adaptors):



## MPO Configuration:



## Ordering Information

| SAP1C                   | Material Description  | Weight | Items per Packaging Unit |
|-------------------------|---|--------|--------------------------|
| TBA      PPA9515        | UC9500 1U Fibre Distribution Modular Panel, 4 Slot, Empty, Drawer                   | 4000g  | 1                        |
| <b>Related Products</b> |   |        |                          |
| YAPBP02679              | PPA9515-0 UC9500 1U 1 Slot Blank Front Panel  | 40g    | 8                        |
| YAPBP02645              | PPA9514-6 UC9500 1 Slot 6-Port LC Duplex/SC Simplex Front Panel, Empty              | 28g    | 8                        |
| YAPBP02672              | PPA9514-6LCSM UC9500 1 Slot 6-Port LC Duplex Front Panel with 6 SM adaptors         | 37g    | 4                        |
| TBA                     | PPA9514-6LCM2 UC9500 1 Slot 6-Port LC Duplex Front Panel with 6 OM1 & OM2 adaptors  | 37g    | 4                        |
| YAPBP02674              | PPA9514-6LCM3 UC9500 1 Slot 6-Port LC Duplex Front Panel with 6 OM3 adaptors        | 37g    | 4                        |
| YAPBP02673              | PPA9514-6LCM4 UC9500 1 Slot 6-Port LC Duplex Front Panel with 6 OM4 adaptors        | 37g    | 4                        |
| TBA                     | PPA9514-6SCSM UC9500 1 Slot 6-Port SC Simplex Front Panel with 6 SM adaptors        | 37g    | 4                        |
| TBA                     | PPA9514-6SCM2 UC9500 1 Slot 6-Port SC Simplex Front Panel with 6 OM1 & OM2 adaptors | 37g    | 4                        |
| TBA                     | PPA9514-6SCM3 UC9500 1 Slot 6-Port SC Simplex Front Panel with 6 OM3 adaptors       | 37g    | 4                        |
| TBA                     | PPA9514-6SCM4 UC9500 1 Slot 6-Port SC Simplex Front Panel with 6 OM4 adaptors       | 37g    | 4                        |
| YAPBP02675              | PPA9511-6 UC9500 1 Slot 6-Port SC Duplex Front Panel, Empty                         | 28g    | 8                        |
| YAPBP02676              | PPA9511-6SM UC9500 1 Slot 6-Port SC Duplex Front Panel with 6 SM adaptors           | 52g    | 4                        |

|            |              |  |      |   |
|------------|--------------|--|------|---|
| TBA        | PPA9511-6M2  | UC9500 1 Slot 6-Port SC Duplex Front Panel with 6 OM1 & OM2 adaptors | 52g  | 4 |
| YAPBP02678 | PPA9511-6M3  | UC9500 1 Slot 6-Port SC Duplex Front Panel with 6 OM3 adaptors       | 52g  | 4 |
| YAPBP02677 | PPA9511-6M4  | UC9500 1 Slot 6-Port SC Duplex Front Panel with 6 OM4 adaptors       | 52g  | 4 |
| TBA        | PPA9512-6    | UC9500 1 Slot 6-Port ST Simplex Front Panel, Empty                   | 32g  | 8 |
| TBA        | PPA9512-6SM  | UC9500 1 Slot 6-Port ST Simplex Front Panel with 6 SM adaptors       | 77g  | 4 |
| TBA        | PPA9512-6MM  | UC9500 1 Slot 6-Port ST Simplex Front Panel with 6 MM adaptors       | 77g  | 4 |
| TBA        | PPA9513-6    | UC9500 1 Slot 6-Port FC Simplex Front Panel, Empty                   | 32g  | 8 |
| TBA        | PPA9513-6SM  | UC9500 1 Slot 6-Port FC Simplex Front Panel with 6 SM adaptors       | 90g  | 4 |
| TBA        | PPA9513-6MM  | UC9500 1 Slot 6-Port FC Simplex Front Panel with 6 MM adaptors       | 90g  | 4 |
| TBA        | PPA9513-12   | UC9500 1 Slot 12-Port FC Simplex Front Panel, Empty                  | 25g  | 8 |
| TBA        | PPA9513-12SM | UC9500 1 Slot 12-Port FC Simplex Front Panel with 12 SM adaptors     | 142g | 4 |
| TBA        | PPA9513-12SA | UC9500 1 Slot 12-Port FC Simplex Front Panel with 12 SM APC adaptors | 142g | 4 |
| TBA        | PPA9513-12MM | UC9500 1 Slot 12-Port FC Simplex Front Panel with 12 MM adaptors     | 142g | 4 |
| YFTBP02647 | PPST9521-C   | UC9500 Splice Tray Cover   | 29g  | 1 |
| YFTBP02646 | PPST9521-24  | UC9500 Splice Tray 24F   | 43g  | 2 |
| YAPBP02680 | PPA9515-1    | UC9500 1U 1 Slot Blank Front Panel for MPO                           |      |   |
| TBA        | PPMT9541-P12 | UC9500 Module MTP-Duplex LC 12F G657A2 BendBright Blue Type P        | 142g | 1 |
| TBA        | PPMP9541-P12 | UC9500 Module MPO-Duplex LC 12F G657A2 BendBright Blue Type P        | 142g | 1 |
| TBA        | PPMT9542-P24 | UC9500 Module MTP-Duplex LC 24F G657A2 BendBright Blue Type P        | 142g | 1 |
| TBA        | PPMP9542-P24 | UC9500 Module MPO-Duplex LC 24F G657A2 BendBright Blue Type P        | 142g | 1 |
| TBA        | PPMT9561-P12 | UC9500 Module MTP-Duplex LC 12F OM3 BendBright Aqua Type P           | 142g | 1 |
| YMMBP02683 | PPMP9561-P12 | UC9500 Module MPO-Duplex LC 12F OM3 BendBright Aqua Type P           | 142g | 1 |
| TBA        | PPMT9562-P24 | UC9500 Module MTP-Duplex LC 24F OM3 BendBright Aqua Type P           | 142g | 1 |
| YMMBP02684 | PPMP9562-P24 | UC9500 Module MPO-Duplex LC 24F OM3 BendBright Aqua Type P           | 142g | 1 |
| TBA        | PPMT9551-P12 | UC9500 Module MTP-Duplex LC 12F OM4 BendBright Violet Type P         | 142g | 1 |
| YMMBP02681 | PPMP9551-P12 | UC9500 Module MPO-Duplex LC 12F OM4 BendBright Violet Type P         | 142g | 1 |
| TBA        | PPMT9552-P24 | UC9500 Module MTP-Duplex LC 24F OM4 BendBright Violet Type P         | 142g | 1 |
| YMMBP02682 | PPMP9552-P24 | UC9500 Module MPO-Duplex LC 24F OM4 BendBright Violet Type P         | 142g | 1 |

## Enquiries

---

Please contact our local sales office or [mms.asia@prysmiangroup.com](mailto:mms.asia@prysmiangroup.com)

Multimedia Solutions is the data communication portfolio of Prysmian Group and comprises all the necessary portfolio of cable solutions for data communication.

Ask about UC CONNECT for a complete Structure Cabling Solutions with 25 Years System Warranty.

Visit [www.DrakaUC.com](http://www.DrakaUC.com) for more information.

---

© PRYSMIAN GROUP 2019, All Rights Reserved

All sizes and values without tolerances are reference values. Specifications are for product as supplied by Prysmian Group: any modification or alteration afterwards of product may give different result.

The information contained within this document must not be copied, reprinted or reproduced in any form, either wholly or in part, without the written consent of Prysmian Group. The information is believed to be correct at the time of issue. Prysmian Group reserves the right to amend this specification without prior notice. This specification is not contractually valid unless specifically authorised by Prysmian Group.